



## GX6EC & GXC6EC

Window/Surface wall fans

### Key features:

<b>Application:</b>	Pubs, restaurants, offices, kitchens, factories, schools & shops.
<b>Humidity:</b>	XRH controller
<b>Movement:</b>	XPIRA
<b>Time delay:</b>	DT20
<b>Actual size:</b>	226 x 210mm

### Packaging:

<b>Weight:</b>	1.6kg
<b>Height:</b>	240mm
<b>Width:</b>	234mm
<b>Depth:</b>	170mm

The Xpelair GX6 EC models are designed for use in kitchens and utility rooms and can be window or panel mounted.

Installation in a 25mm window or panel using standard metal ladder strips.

If installed in panels or walls thicker than 25mm, then use extended ladder strips (508mm) to enable connection of outer grille to inside of fan.

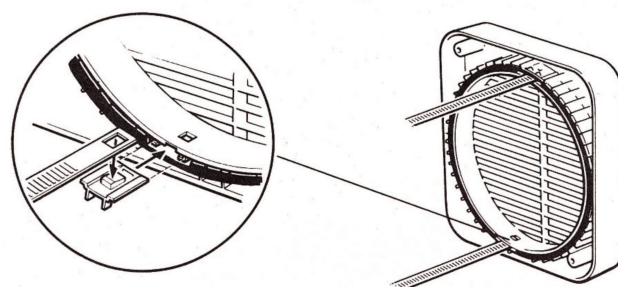
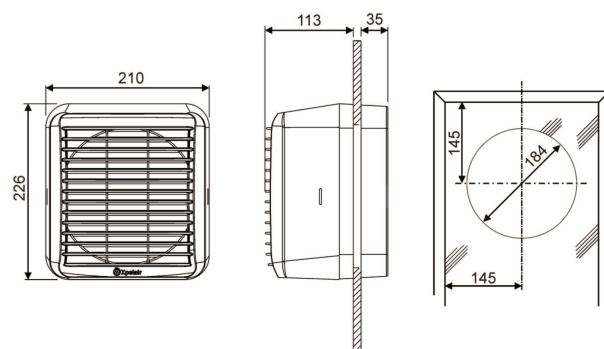
The GX6EC and GXC6EC will need two longer length ladder strips for surface wall mounting.

Pre-balanced impellers eliminate “fan judder” and ensure quiet, trouble-free operation. Sealed for life, maintenance free bearings ensure suitability for running at any angle. Running costs are impressively low, and when not in use the silent electro-thermal shutter closes silently against backdraughts (GX6EC).

Class B insulation for operation in ambient temperatures up to 40°C and are fitted with a thermal cut out.

Motors are of lower wattage than AC motors and use less electricity.

### Dimensions:



### Specifications:

	GX6 EC	GXC6 EC
UK ref. number	071262	071279
Number of speeds	1	1
Power (W)	9.5	6.8
Power rating	120–230V AC, 50–60Hz	
Flow rate (l/s)	64	
Flow rate (m <sup>3</sup> /h)	229	
Noise dB(A)@3m	34	
IPX Rating motor type	IPX4	
Pullcord operated shutter		•
Silent Electro-Thermal Shutter	•	

### Performance:

