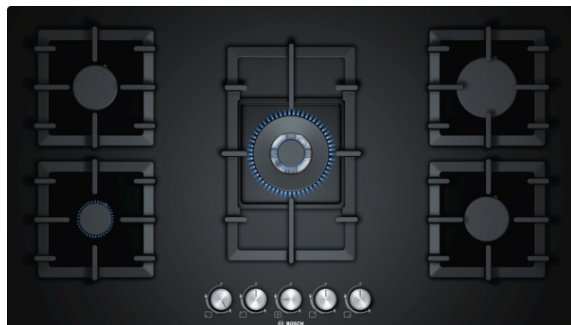


**Series 6, gas hob, 90 cm, Black
PPQ9B6O90M**



Included accessories
1 x WOK attachment ring

- **Standard and semi-flush built-in option:** choose between flush or slightly raised installation.
- **Surface colour:** elegant black tempered-glass design.

Technical Data

Product name/family : gas hob w integrated controls
 Construction type : Built-in
 Energy input : Gas
 Total number of positions that can be used at the same time : 5
 Type of control setting devices : cylindrical knobs
 Min. required niche size for installation (HxWxD) : 45 x 850-852 x 490-502 mm
 Width of the appliance : 915 mm
 Dimensions of the packed product (HxWxD) : 165 x 1116 x 659 mm
 Net weight : 22.4 kg
 Gross weight : 24.6 kg
 Residual heat indicator : without
 Location of control panel : Hob front
 Basic surface material : Tempered glass
 Color of surface : Black
 Color of frame : Black
 Length electrical supply cord : 100 cm
 Knob Material : Plastic
 Sealed Burners : No
 Power of heating element (kW) : 1 kW
 Power of 3rd heating element (kW) : 1.75 kW
 Power of 5th heating element (kW) : 3 kW
 Connection Rating : 1 W
 Gas connection rating : 11500 W
 Fuse protection : 3 A
 Voltage : 220-240 V
 Frequency : 50; 60 Hz
 Main colour of product : Black
 Energy input : Gas
 Gas type : Liquidgas G30,31 28-30/37 mbar
 Alternative gas type : Nat gas H/E/(L) 20 (25) mbar
 Appliance Dimensions (h x w x d) (in) : + x x
 Dimensions of the packed product : 6.49 x 25.94 x 43.93
 Net weight : 49.000 lbs
 Gross weight : 54.000 lbs
 Total number of positions that can be used at the same time : 5
 Length electrical supply cord : 100 cm
 Min. required niche size for installation (HxWxD) : 45 x 850-852 x 490-502 mm
 Dimensions of the packed product (HxWxD) : 165 x 1116 x 659 mm
 Net weight : 22.4 kg
 Gross weight : 24.6 kg

Series 6, gas hob, 90 cm, Black PPQ9B6O90M

Design:

- Hard Glass black
- Cast iron separable w rub feet
- frameless

Comfort:

- cylindrical knobs
- Easy to clean Hard Glass surface.
- One-hand ignition via control knob

Power and size:

- 5 PC
- dual-circuit burner
- 4gas+wok (center)
- Left rear: Standard burner up to 1.75 KW (depending on gas type)
- Right rear: Rapid burner up to 3 KW (depending on gas type)
- Center: WOK burner up to 4 KW (depending on gas type)
- Economy burner 1 KW
- Standard burner 1.75 KW

Environment+safety:

- Preset of liquid gas (28-30/37mbar)
- Full flame safety

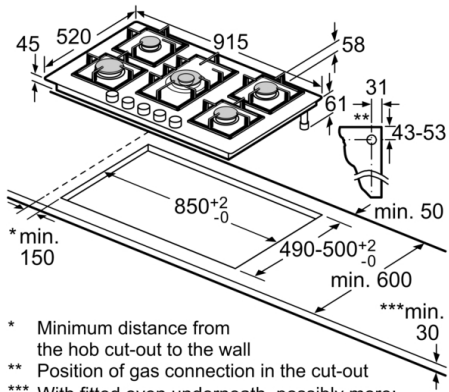
Accessories

- Natural gas nozzles (20 mbar) included

Measurements

- 100 cm

**Series 6, gas hob, 90 cm, Black
PPQ9B6O90M**



- * Minimum distance from the hob cut-out to the wall
 - ** Position of gas connection in the cut-out
 - *** With fitted oven underneath, possibly more; see space requirements for the oven
- measurements in mm