

**iQ700, Built-in Oven, 60 x 60 cm,
Stainless steel
HB633GBS1**



Shorten your cooking time thanks to fast preheat and coolStart.

- ✓ 4D hotAir: flexible choice of shelf.
- ✓ fastPreheat: reach the required baking temperature sooner; coolStart: no need to preheat the oven for deep frozen food.
- ✓ Good readability from any perspective - TFT-Display.
- ✓ softMove: gentle opening and closing of the oven door.

Features

Technical data

Gross weight : 36.6 kg
 Color / Material Front : Stainless steel
 Built-in / Free-standing : Built-in
 Integrated Cleaning system : Hydrolytic
 Min. required niche size for installation (HxWxD) : 585-595 x 560-568 x 550 mm
 Dimensions : 595 x 594 x 548 mm
 Dimensions of the packed product (HxWxD) : 670 x 680 x 670 mm
 Control Panel Material : Stainless steel
 Door Material : Glass
 Net weight : 34.2 kg
 Usable volume of cavity : 71 l
 Cooking method : , 4D hot air, Bottom heat, Conventional heat, Deep-frozen food special, Full width grill, Half width grill, Hot Air-Eco, Hot air grilling, Pizza setting
 Number of interior lights : 1
 Interior Lights - cavity 1 : 1
 Pull-out system : Accessory
 Clock function : Alarm, Off, On
 Included accessories : 1 x combination grid, 1 x universal pan
 Broil Element Wattages cavity 1 : 2800 W
 Convection Element Wattages cavity 1 : 2200 W
 Energy efficiency rating : A+
 Energy consumption per cycle conventional (2010/30/EC) : 0.87 kWh/cycle
 Energy consumption per cycle forced air convection (2010/30/EC) : 0.69 kWh/cycle
 Energy efficiency index (2010/30/EC) : 81.2 %
 Connection Rating : 3600 W
 Fuse protection : true A
 Voltage : 220-240 V
 Frequency : 60; 50 Hz
 Plug type : Gardy plug w/ earthing
 Color / Material Front : Stainless steel
 Energy input : Electric
 Required cutout/niche size for installation (in) : x x
 Dimensions of the packed product : 26.37 x 26.37 x 26.77
 Net weight : 75.000 lbs
 Gross weight : 81.000 lbs
 Net weight : 34.2 kg
 Included accessories : 1 x combination grid, 1 x universal pan

Included accessories

- 1 x combination grid
- 1 x universal pan

Optional accessories

- HZ327000 Baking stone

iQ700, Built-in Oven, 60 x 60 cm, Stainless steel HB633GBS1

Features

Type of oven / heating system:

- Oven with 10 heating methods:
- 4D hot air, Hot Air-Eco, Conventional cooking, Conventional heat ECO, hot air grilling, Full width grill, Half width grill, Intensive hot air, Deep-frozen food special, Bottom heat
- Temperature range 30 °C - 300 °C
-
- Cavity volume: 71 l
-

Design:

- Rotary Control
- Bar handle

Cleaning:

- Cavity inner surface: enamel anthracite

Comfort:

- Drop down door, soft closing, soft opening
-
- LED clock and automatic programmer
- Rapid heating-up
- Halogen interior lighting, Independent oven interior light button
- Integral cooling fan

Accessory:

- 1 x combination grid, 1 x universal pan

Comfort and Safety:

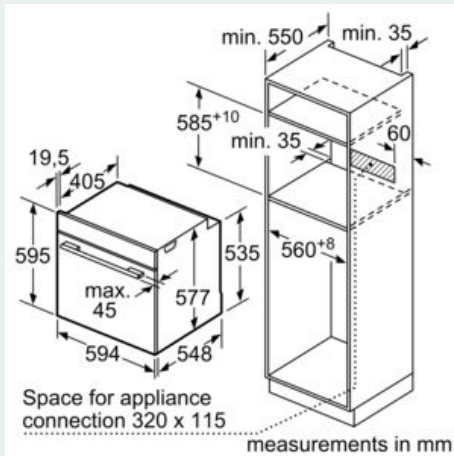
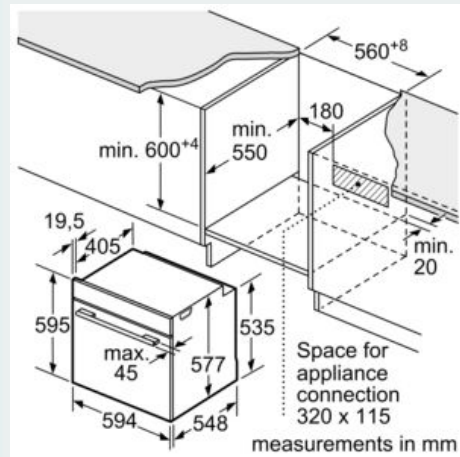
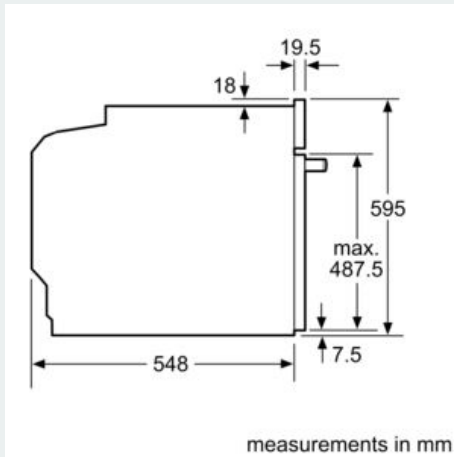
- Child safety button
- Automatic safety switch off residual heat indicator start button door contact switch
- coolStart

Technical Info:

- Total connected load electric: 3.6 KW
- Appliance dimension (hxwx): 595 mm x 594 mm x 548 mm
-
- Niche dimension (hxwx): 560 mm - 568 mm x 585 mm - 595 mm x 550 mm
- "Please reference the built-in dimensions provided in the installation drawing"
- Accessory
- Energy efficiency rating (acc. EU Nr. 65/2014): A+
- Energy consumption per cycle in conventional mode: 0.87 kWh
- Energy consumption per cycle in fan-forced convection mode: 0.69 kWh
- Number of cavities: 1 Heat source: electrical Cavity volume: 71 l
-
- Number of shelf levels: 5 PC
- Maximum window temperature 40° C
- We recommend you to choose complementary products within iQ700, in order to assure an optimal design combination of your Built-In appliances.

**iQ700, Built-in Oven, 60 x 60 cm,
Stainless steel
HB633GBS1**

Dimensioned drawings



If the appliance will be installed underneath a hob, the following worktop thicknesses (including substructure if necessary) must be taken into account.

Hob type	min. worktop thickness	
	fitted	flush
Induction hob	37 mm	38 mm
Full surface Induction hob	47 mm	48 mm
Gas hob	30 mm	38 mm
Electric hob	27 mm	30 mm