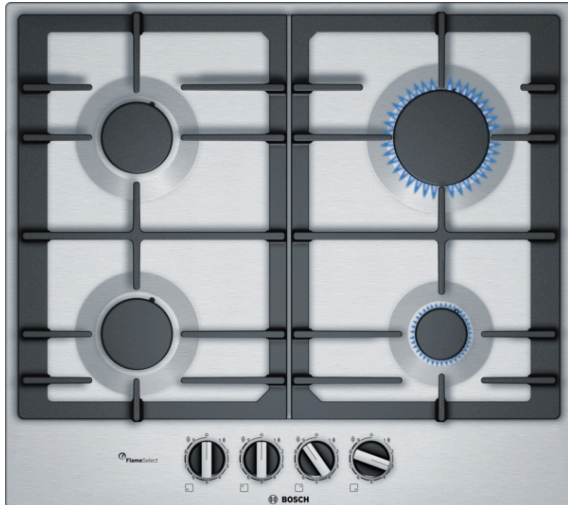


**Series 6, Gas Hob, 60 cm, Stainless steel  
PCP6A5B90Z**



**The stainless-steel gas hob with FlameSelect: achieve perfect cooking results thanks to nine precisely defined power levels.**

- **FlameSelect:** for a precise adjustment of the flame in nine defined levels.
- **Continuous cast-iron pan support:** for high firmness and stability of cookware.
- **Sword knobs:** for an ergonomic control.
- **Surface colour:** elegant stainless-steel design.
- **FlameSelect:** for a precise adjustment of the flame in nine defined levels.

**Technical data**

Product name/family : gas hob w integrated controls  
 Construction type : Built-in  
 Energy input : Gas  
 Total number of positions that can be used at the same time : 4  
 Type of control setting devices : sword knobs  
 Min. required niche size for installation (HxWxD) : 45 x 560-562 x 480-492 mm  
 Width of the appliance : 582 mm  
 Dimensions of the packed product (HxWxD) : 141 x 651 x 578 mm  
 Net weight : 10.6 kg  
 Gross weight : 11.5 kg  
 Residual heat indicator : without  
 Location of control panel : Hob front  
 Basic surface material : Stainless steel  
 Color of surface : Stainless steel  
 Length electrical supply cord : 100 cm  
 Knob Material : Plastic  
 Sealed Burners : No  
 Type of pan support : Elongated cast iron pan support  
 Power of heating element (kW) : 1.75 kW  
 Power of 3rd heating element (kW) : 1.75 kW  
 Power of 5th heating element (kW) : 3 kW  
 Connection Rating : 1 W  
 Gas connection rating : 7500 W  
 Fuse protection : 3 A  
 Voltage : 220-240 V  
 Frequency : 60; 50 Hz  
 Main colour of product : Stainless steel  
 Energy input : Gas  
 Gas type : Liquidgas G30,31 28-30/37 mbar  
 Alternative gas type : Nat gas H/E/(L) 20 (25) mbar  
 Plug type : No plug (electrical connection by electrician)  
 Appliance Dimensions (h x w x d) (in) : + x x  
 Dimensions of the packed product : 5.55 x 22.75 x 25.62  
 Net weight : 23.000 lbs  
 Gross weight : 25.000 lbs  
 Total number of positions that can be used at the same time : 4  
 Length electrical supply cord : 100 cm  
 Min. required niche size for installation (HxWxD) : 45 x 560-562 x 480-492 mm  
 Dimensions of the packed product (HxWxD) : 141 x 651 x 578 mm  
 Net weight : 10.6 kg  
 Gross weight : 11.5 kg

## Series 6, Gas Hob, 60 cm, Stainless steel PCP6A5B90Z

**The stainless-steel gas hob with  
FlameSelect: achieve perfect cooking results  
thanks to nine precisely defined power  
levels.**

---

### **Design:**

- Stainless steel

### **Comfort and Safety:**

- Step valve 9 steps
- Sword Knobs
- Ignition via control knobs
- Cast iron pan supports

### **Power and size:**

- 4 PC
- 4gas
- Left rear: Standard burner 1.75 KW
- Right rear: High speed burner 3 KW
- Left front: Standard burner 1.75 KW
- Right front: Economy burner 1 KW

### **Environment+safety:**

- Flame failure safety device
- Preset of liquid gas (28-30/37mbar)

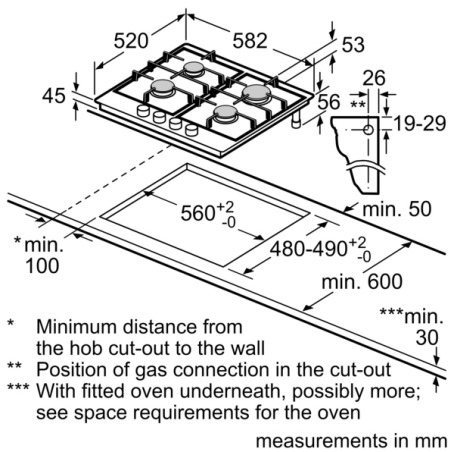
### **Measurements**

- 100 cm

### **Accessories**

- Natural gas nozzles (20 mbar) included

**Series 6, Gas Hob, 60 cm, Stainless steel  
PCP6A5B90Z**



**AC DIRECT**



**Online Store**