

**Series 8, Built-in Oven, 60 x 60 cm,  
Stainless steel  
HBG676ES6**



**Included accessories**

- 1 x enamel baking tray
- 1 x combination grid
- 1 x universal pan

**The built-in oven with PerfectBake and PerfectRoast: you get perfect baking and roasting results – automatically.**

- **Home Connect:** home appliances with smart connectivity for an easier everyday life.
- **PerfectBake:** the easy way to perfect baking results.
- **PerfectRoast:** precise measurement of core temperature for a perfect roast.
- **Pyrolytic self-cleaning:** no cleaning effort thanks to automatic self-cleaning.
- **Cleaning Assistance:** less cleaning effort thanks to the new cleaning option, which can be especially used for cleaning of light soiling.

**Technical data**

Gross weight : 41.1 kg  
 Color / Material Front : Stainless steel  
 Built-in / Free-standing : Built-in  
 Integrated Cleaning system : Pyrolytic+Hydrolytic  
 Min. required niche size for installation (HxWxD) : 585-595 x 560-568 x 550 mm  
 Dimensions : 595 x 594 x 548 mm  
 Dimensions of the packed product (HxWxD) : 670 x 680 x 670 mm  
 Control Panel Material : Stainless steel  
 Door Material : Glass  
 Net weight : 38.7 kg  
 Usable volume of cavity : 71 l  
 Cooking method : , 4D hot air, Bottom heat, Conventional heat, Defrost, Full width grill, Half width grill, Hot Air-Eco, Hot air grilling, low temperature cooking, Pizza setting, pre-heating, warming  
 Number of interior lights : 1  
 Length electrical supply cord : 120 cm  
 Interior Lights - cavity 1 : 1  
 Pull-out system : Accessory  
 Clock function : Alarm, Off, On  
 Included accessories : 1 x enamel baking tray, 1 x combination grid, 1 x universal pan  
 Broil Element Wattages cavity 1 : 2800 W  
 Convection Element Wattages cavity 1 : 2200 W  
 Energy efficiency rating : A+  
 Energy consumption per cycle conventional (2010/30/EC) : 0.87 kWh/cycle  
 Energy consumption per cycle forced air convection (2010/30/EC) : 0.69 kWh/cycle  
 Energy efficiency index (2010/30/EC) : 81.2 %  
 Connection Rating : 3600 W  
 Fuse protection : 16 A  
 Voltage : 220-240 V  
 Frequency : 50; 60 Hz  
 Plug type : Gardy plug w/ earthing  
 Color / Material Front : Stainless steel  
 Alternative colors available : HBG676EB6  
 Energy input : Electric  
 Required cutout/niche size for installation (in) : x x  
 Dimensions of the packed product : 26.37 x 26.37 x 26.77  
 Net weight : 85.000 lbs  
 Gross weight : 91.000 lbs  
 Length electrical supply cord : 120 cm  
 Net weight : 38.7 kg  
 Included accessories : 1 x enamel baking tray, 1 x combination grid, 1 x universal pan

## **Series 8, Built-in Oven, 60 x 60 cm, Stainless steel HBG676ES6**

**The built-in oven with PerfectBake and PerfectRoast: you get perfect baking and roasting results – automatically.**

### **Technical Info:**

- Length of mains cable: 120 cm
- Nominal voltage: 220 - 240 V
- Total connected load electric: 3.6 KW
- Energy efficiency rating (acc. EU Nr. 65/2014): A+  
Energy consumption per cycle in conventional mode: 0.87 kWh  
Energy consumption per cycle in fan-forced convection mode: 0.69 kWh  
Number of cavities: 1 Heat source: electrical Cavity volume: 71 l

### **Type of oven / heating system:**

- Oven with 13 heating methods:  
4D hot air, Hot Air-Eco, Conventional top and bottom heat, Conventional heat ECO, Hot air grilling, Variable full width grill, Half width grill, Pizza setting, Bottom heat, low temperature cooking, Defrost setting, Plate warming, Hold warm
- Temperature range 30 °C - 300 °C
- Cavity volume: 71 l

### **Hook-in racks / rails**

- Number of shelf levels: 5 PC
- Accessory, pyrolytic proof

### **Design:**

- Rotary swivel
- Cavity inner surface: enamel anthracite

### **Cleaning:**

- Pyrolytic self-cleaning function
- Cleaning Assistance
- Full glass inner door

### **Comfort:**

- IC6\_CBO\_62
- Electronic clock
- Drop down door, soft closing, soft opening
- Bar handle
- Supporting systems: Dish categories
- baking sensor  
multipoint temperature probe
- Rapid heating-up
- Halogen interior lighting, Switch for oven illumination
- Integral cooling fan
- WLAN

### **Accessory:**

- 1 x enamel baking tray, 1 x combination grid, 1 x universal pan

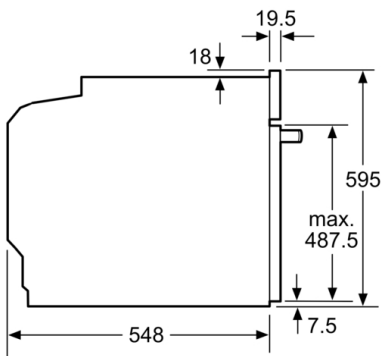
### **Comfort and Safety:**

- 30 °C
- Low door temperature during pyrolytic cleaning
- door lock electrical  
Safety lock Automatic safety shut off residual heat indicator start button door contact switch

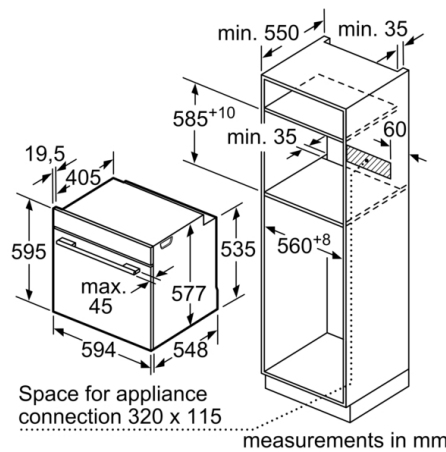
### **Dimensions:**

- Appliance dimension (h x w x d): 595 mm x 594 mm x 548 mm
- Niche dimension (h x w x d): 560 mm - 568 mm x 585 mm - 595 mm x 550 mm
- "Please reference the built-in dimensions provided in the installation drawing"
- We recommend you to choose complementary products within SER8, in order to assure an optimal design combination of your Built-In appliances.

**Series 8, Built-in Oven, 60 x 60 cm, Stainless steel**  
**HBG676ES6**



measurements in mm

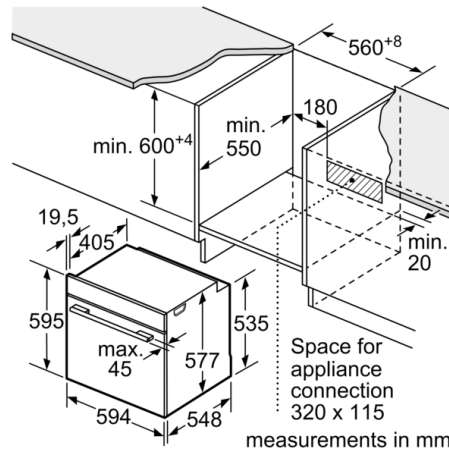


Space for appliance connection 320 x 115

measurements in mm

If the appliance will be installed underneath a hob, the following worktop thicknesses (including substructure if necessary) must be taken into account.

Hob type	min. worktop thickness	
	fitted	flush
Induction hob	37 mm	38 mm
Full surface Induction hob	47 mm	48 mm
Gas hob	30 mm	38 mm
Electric hob	27 mm	30 mm



Space for appliance connection 320 x 115

measurements in mm