

**Series 4, Wall-mounted Extractor Hood, 60 cm, clear glass black printed DWF65AJ60T**



**Flat design hood: always keep an eye on your pots and pans with this design highlight.**

- **LED-illumination:** The energy-saving lighting provides bright and clear lighting for the hob area.
- **Metal grease filters:** filter grease and other solid particles out of the extracted air
- TouchControl - control at your fingertips.
- **Easy-to-clean interior:** hidden screws and cables along with rounded edges make cleaning easy.
- Pi shaped double metal filter

**Technical data**

Typology : Wall-mounted  
 Length electrical supply cord : 118 cm  
 Height of product, without chimney : 420 mm  
 Net weight : 15.0 kg  
 Type of control : Electronic  
 Number of speed settings : 3  
 Maximum output air extraction : 649 m<sup>3</sup>/h  
 Maximum output recirculating air : 350 m<sup>3</sup>/h  
 Number of lights : 2  
 Noise level : 68 dB(A) re 1 pW  
 Diameter of air outlet : 120 / 150 mm  
 Grease filter material : Washable aluminium  
 Odour filter : No  
 Operating Mode : Convertible  
 Optional accessories : DWA0KP6A  
 Type of lamps used : LED  
 Grease filter type : Kasette  
 Connection Rating : 252 W  
 Fuse protection : 10 A  
 Voltage : 220-240 V  
 Frequency : 50 Hz  
 Plug type : Gardy plug w/ earthing  
 Installation typology : Wall-mounted  
 Material body : Glass, Lacquered  
 Plug type : Gardy plug w/ earthing  
 Dimensions of the product, with chimney (if exists) (in) : / x x  
 Dimensions of the packed product : 15.15 x 22.63 x 32.87  
 Net weight : 33.000 lbs  
 Gross weight : 37.000 lbs  
 Motor location : Integrated motor in hood body  
 No-return airflow flap : No  
 Length electrical supply cord : 118 cm  
 Dimensions of the product, with chimney (if exists) : 450 x 590.0 x 308.0 mm  
 Dimensions of the packed product (HxWxD) : 385 x 575 x 835 mm  
 Net weight : 15.0 kg  
 Gross weight : 16.8 kg

## **Series 4, Wall-mounted Extractor Hood, 60 cm, clear glass black printed DWF65AJ60T**

**Flat design hood: always keep an eye on your pots and pans with this design highlight.**

---

### **Variant:**

- DWF65AJ60T
- Designed for wall mounted installation

### **Design:**

- black with glass canopy
- touch control with Electronic display
- Removable metal grease filters, dishwasher safe

### **Operating and power:**

- 3 speed operation
- Ducted extraction rate according to DIN/EN 61591max. 649 m<sup>3</sup>/h
- Suitable for ducted or recirculating operation
- Recirculating kit

### **Comfort:**

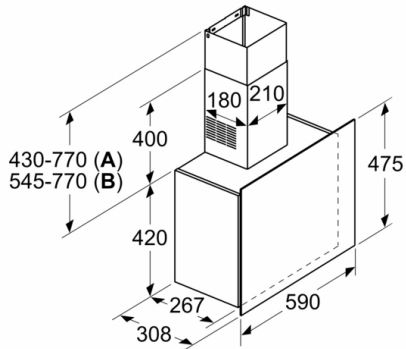
- Noise max. Normal Level: 68 dB\*
- Light Intensity: 100 lux
- Colour Temperature: 4000 K

### **Measures:**

- 59 cm wide
- Dimensions exhaust air (HxWxD): 850-1190 x 590 x 308 mm
- Dimensions recirculating (HxWxD): 965-1190 x 590 x 308 mm
- Diameter pipe Ø 150 mm (Ø 120 mm enclosed)

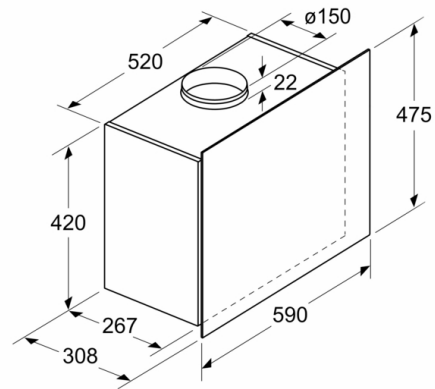
**Series 4, Wall-mounted Extractor Hood, 60 cm, clear glass black printed DWF65AJ60T**

Measurements in mm

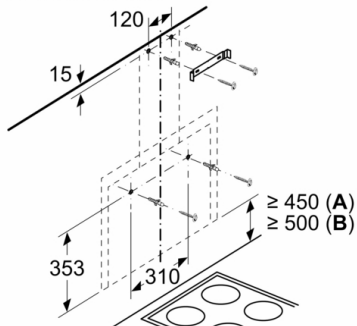


**A:** Exhaust air  
**B:** Circulated air

Measurements in mm



Measurements in mm



From upper edge of pan support

**A:** Electric  
**B:** Gas