

**Series 6, Canopy Extractor, 86 cm,
Stainless steel
DHL885C**



The canopy cooker hood: offers you flexibility in your kitchen planning - mount it either on the wall or above a kitchen island.

- **silent:** maximal extractor performance with little noise
- **LED-Illumination:** The energy-saving lighting provides bright and clear lighting for the hob area.
- **Intensive speed setting:** removes strong kitchen odours especially quickly and effectively.
- **Extraction rate:** at MAX_FOERDERLEISTUNG m³/h, it quickly ensures optimal kitchen air quality.
- **Metal grease filters:** filter grease and other solid particles out of the extracted air

Technical data

Typology : Built-in/Built-under
 Length electrical supply cord : 150 cm
 Min. required niche size for installation (HxWxD) : 418mm x 836.0mm x 264mm mm
 Net weight : 9.9 kg
 Type of control : Electronic
 Maximum output air extraction : 630 m³/h
 Boost position output recirculating : 639 m³/h
 Maximum output recirculating air : 568 m³/h
 Boost position air extraction : 730 m³/h
 Number of lights : 2
 Noise level : 65 dB(A) re 1 pW
 Diameter of air outlet : 150 / 120 mm
 Grease filter material : Washable aluminium
 Odour filter : No
 Operating Mode : Convertible
 Optional accessories : DHZ5316, DHZ5605, DWZ0IT0P0, DWZ1IT1D1, DWZ1IX1B6, DWZ1IX1C6
 Type of lamps used : LED
 Total power of the lamps : 2 W
 Grease filter type : Kasette
 Connection Rating : 277 W
 Fuse protection : 3 A
 Voltage : 220-240 V
 Frequency : 50 Hz
 Plug type : Gardy plug w/ earthing
 Installation typology : Built-in
 Material body : Stainless steel
 Plug type : Gardy plug w/ earthing
 Dimensions of the product, with chimney (if exists) (in) : / x x
 Dimensions of the packed product : 14.56 x 18.30 x 38.18
 Net weight : 22.000 lbs
 Gross weight : 31.000 lbs
 Motor location : Integrated motor in hood body
 No-return airflow flap : Yes
 Length electrical supply cord : 150 cm
 Dimensions of the product, with chimney (if exists) : 418 x 860.0 x 300.0 mm
 Dimensions of the packed product (HxWxD) : 370 x 465 x 970 mm
 Net weight : 9.9 kg
 Gross weight : 13.9 kg

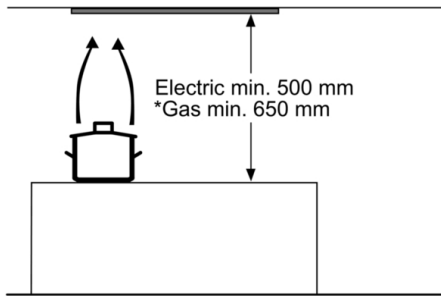
Series 6, Canopy Extractor, 86 cm, Stainless steel DHL885C

The canopy cooker hood: offers you flexibility in your kitchen planning - mount it either on the wall or above a kitchen island.

- Energy Efficiency Class: C*
- Average Energy Consumption: 103.1 kWh/year*
- Noise max. Normal Level: 65 dB*
- Canopy hood
- Suitable for ducted or recirculating operation
- Recirc. kit or clean air kit
- Electronic controls
- push button controls with Electronic display
- 3 speed + intensive operation
- Intensive op. revert dur.: 6 min.
- Metal grease filter with side extraction
- Stainless steel filter covers
- Removable metal grease filters, dishwasher safe
- Light Intensity: 266 lux
- Colour Temperature: 4000 K
- Twin channel high performance fan motor
- Extraction rate exhaust air according to EN 61591:
max. normal use 630 m³/h, intensive 730 m³/h
- Dimensions exhaust air (HxWxD): 418 x 860 x 300 mm
- Dimensions recirculating (HxWxD): 418 x 860 x 300 mm
- built-in dimensions (HxWxD): 418 x 836 x 264 mm
- Power rating: 277 W
- 120 or 150 mm diameter pipe

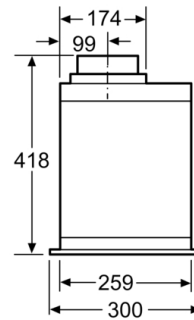
Technical information:

**Series 6, Canopy Extractor, 86 cm, Stainless steel
DHL885C**

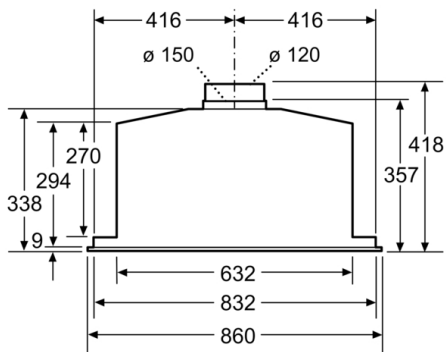


* from upper edge of pan support

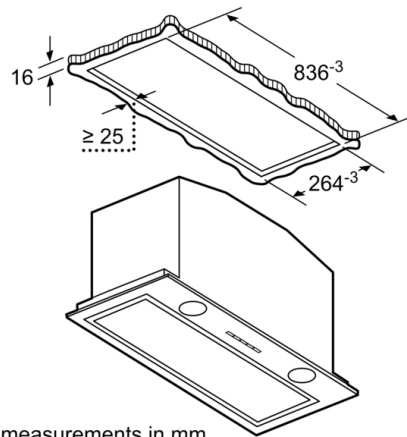
measurements in mm



measurements in mm



measurements in mm



measurements in mm