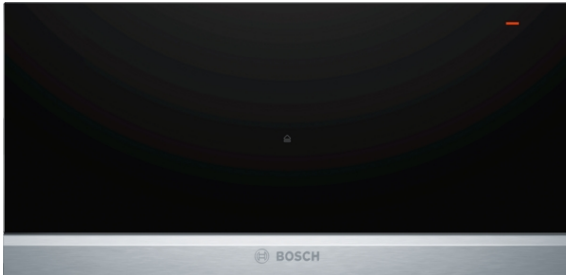


**Series 8, Warmer Drawer, 60 x 29 cm,
Stainless steel
BID630NS1**



- **Cleaning convenience:** easy-to-clean hotplate made of tempered glass.

Technical data

Built-in / Free-standing : Built-in

Color / Material Front : Stainless steel

Maximum number of plates : 40

Maximum number of espresso cups : 192

Dimensions : 290 x 594 x 548 mm

Dimensions of the packed product (HxWxD) : 350 x 650 x 660 mm

Min. required niche size for installation (HxWxD) : 290 x 560 x 550 mm

: 0.810 kW

Time control : No

Electrical connection rating : 810 W

Fuse protection : true A

Voltage : 220-240 V

Frequency : 60; 50 Hz

Plug type : GARDY plug w/ earthing

Color / Material Front : Stainless steel

Required cutout/niche size for installation (in) : x x

Dimensions of the packed product : 13.77 x 25.59 x 25.98

Net weight : 41.000 lbs

Gross weight : 46.000 lbs

Min. required niche size for installation (HxWxD) : 290 x 560 x 550 mm

Dimensions : 290 x 594 x 548 mm

Dimensions of the packed product (HxWxD) : 350 x 650 x 660 mm

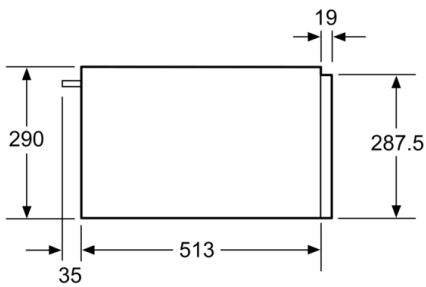
Net weight : 18.5 kg

Gross weight : 20.8 kg

**Series 8, Warmer Drawer, 60 x 29 cm,
Stainless steel
BID630NS1**

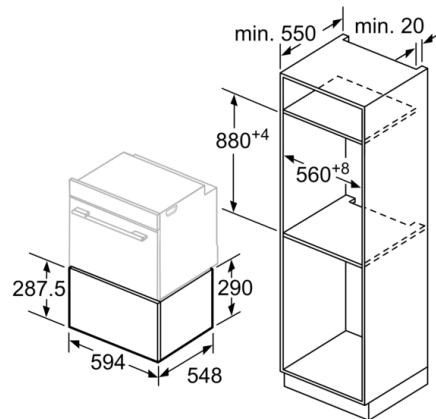
- Heating plate made of toughened glass
- Temperature control in 4 levels: ca. 30°C - 80°C (glass surface temperature)
- Max. loading espresso cups: 192 PC or Max. loading plates: 40 PC

**Series 8, Warmer Drawer, 60 x 29 cm,
Stainless steel
BID630NS1**



Ovens with an appliance height of 595 mm can be installed above a warming drawer. An intermediate floor is not required.

measurements in mm



measurements in mm